

**Printer/Scanner Unit Type 1045
(B362/B361)**

Printer/Scanner Unit Type 1045 (B362/B361)

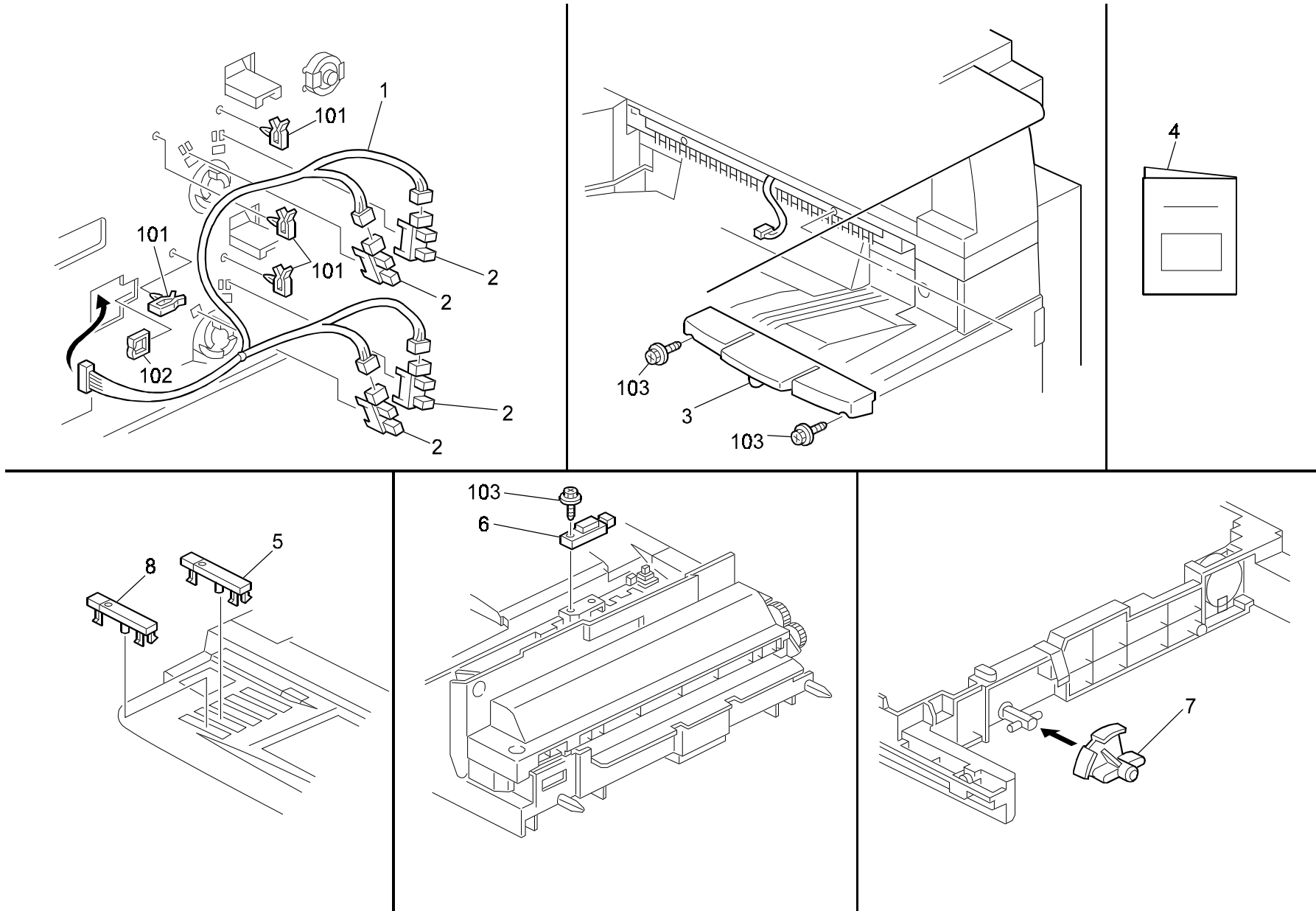
PARTS CATALOG

This catalog gives the numbers and names of parts on this machine.



CONTENTS

1.Printer/Scanner Unit Type 1045 (B362/B361).....	2
Parts Index	5

1. Printer/Scanner Unit Type 1045 (B362/B361)



1.Printer/Scanner Unit Type 1045 (B362/B361)

Index No.	Part No.	Description	Q'ty Per Assembly
1	B007 5465	Harness - Paper Height Sensor	1
2	AW02 0056	Photointerrupter - EE-SX4235A-P1	4
3	B007 4491	Paper Sensor Ass'y	1
4	B362 8617	Operation Manual - Printer Reference (NA)	1
5	B361 7245	Printer Key (US)	1
5	B361 7645	Printer Key (EUR/Asia)	1
6	AW01 0048	Photo Sensor - GP2A28N1	1
7	A235 2979	Feeler - Paper Height Sensor	2
8	B361 7246	Scanner Key (US)	1
8	B361 7646	Scanner Key (EUR/Asia)	1
			

Index No.	Part No.	Description	Q'ty Per Assembly
101	1105 0267	Harness Clamp - YMC-10-0	
102	1105 0349	Edge Saddle	
103	0450 3008B	Tapping Screw - M3X8	
104	0452 3008Z	Binding Self Tapping Screw - M3x8	

Parts Index

Parts Index

Part No.	Description	Page and Index No.
B361 7245	Printer Key (US)	3- 5
B361 7246	Scanner Key (US)	3- 8
B361 7645	Printer Key (EUR/Asia)	3- 5
B361 7646	Scanner Key (EUR/Asia)	3- 8
B362 8617	Operation Manual - Printer Reference (NA)	3- 4

Part No.	Description	Page and Index No.
AW01 0048	Photo Sensor - GP2A28N1	3- 6
AW02 0056	Photointerrupter - EE-SX4235A-P1	3- 2
B007 4491	Paper Sensor Ass'y	3- 3
B007 5465	Harness - Paper Height Sensor	3- 1

Part No.	Description	Page and Index No.
A235 2979	Feeler - Paper Height Sensor	3- 7

Part No.	Description	Page and Index No.
0450 3008B	Tapping Screw - M3X8	3-103
0452 3008Z	Binding Self Tapping Screw - M3x8	3-104
1105 0267	Harness Clamp - YMC-10-0	3-101
1105 0349	Edge Saddle	3-102